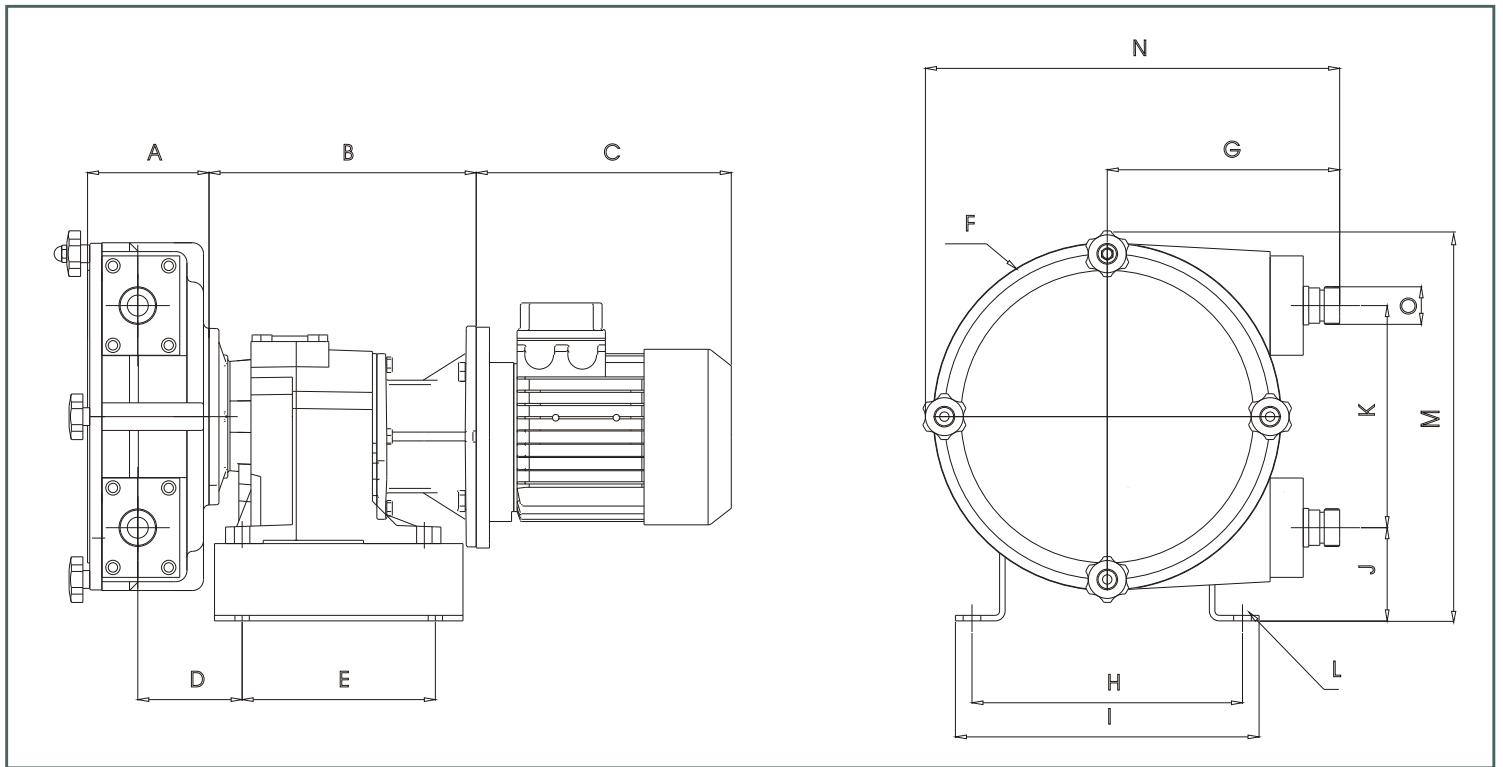




# Industrial Peristaltic Pumps

## AMP-22 Model

### Dimensions



A	B*	C*	D	E	F	G	H	I	J	K	L	M	N	O
110	240	230	95	175	∅ 315	211	245	275	85	201	∅ 13	355	375	1" BSP or NPT

\* To confirm according to drive type and power